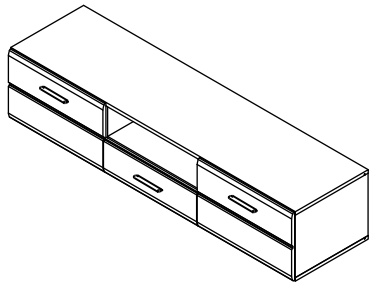
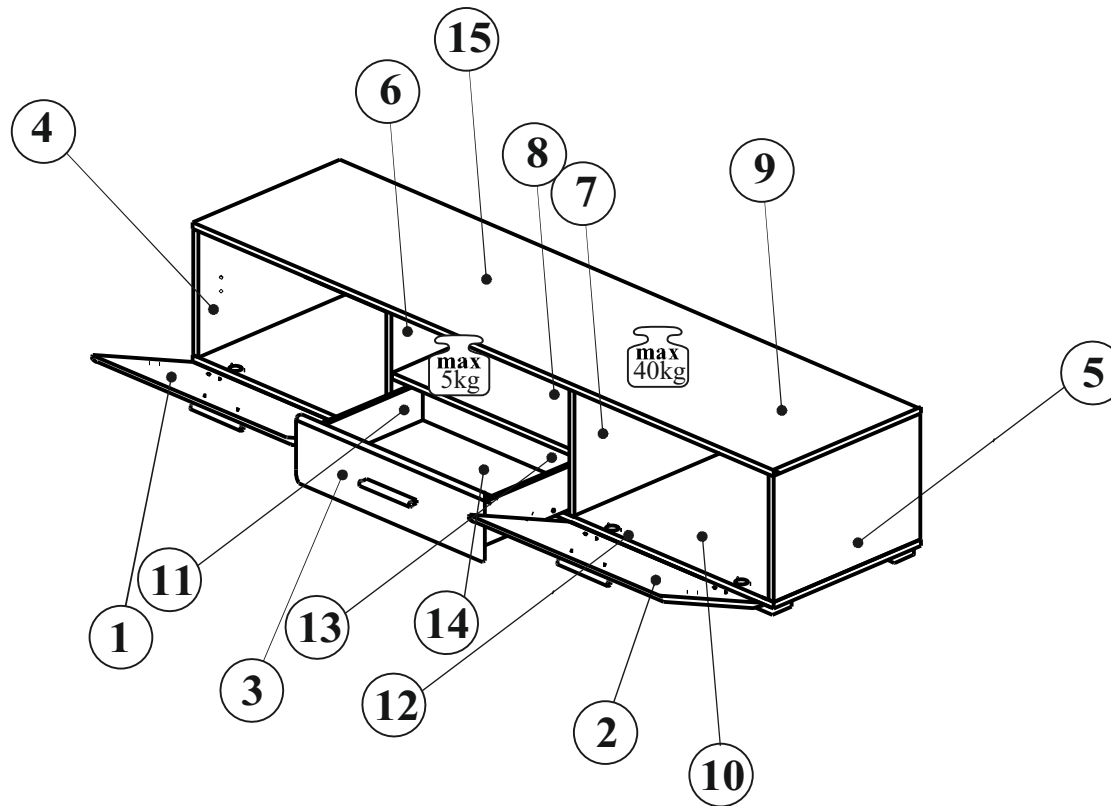


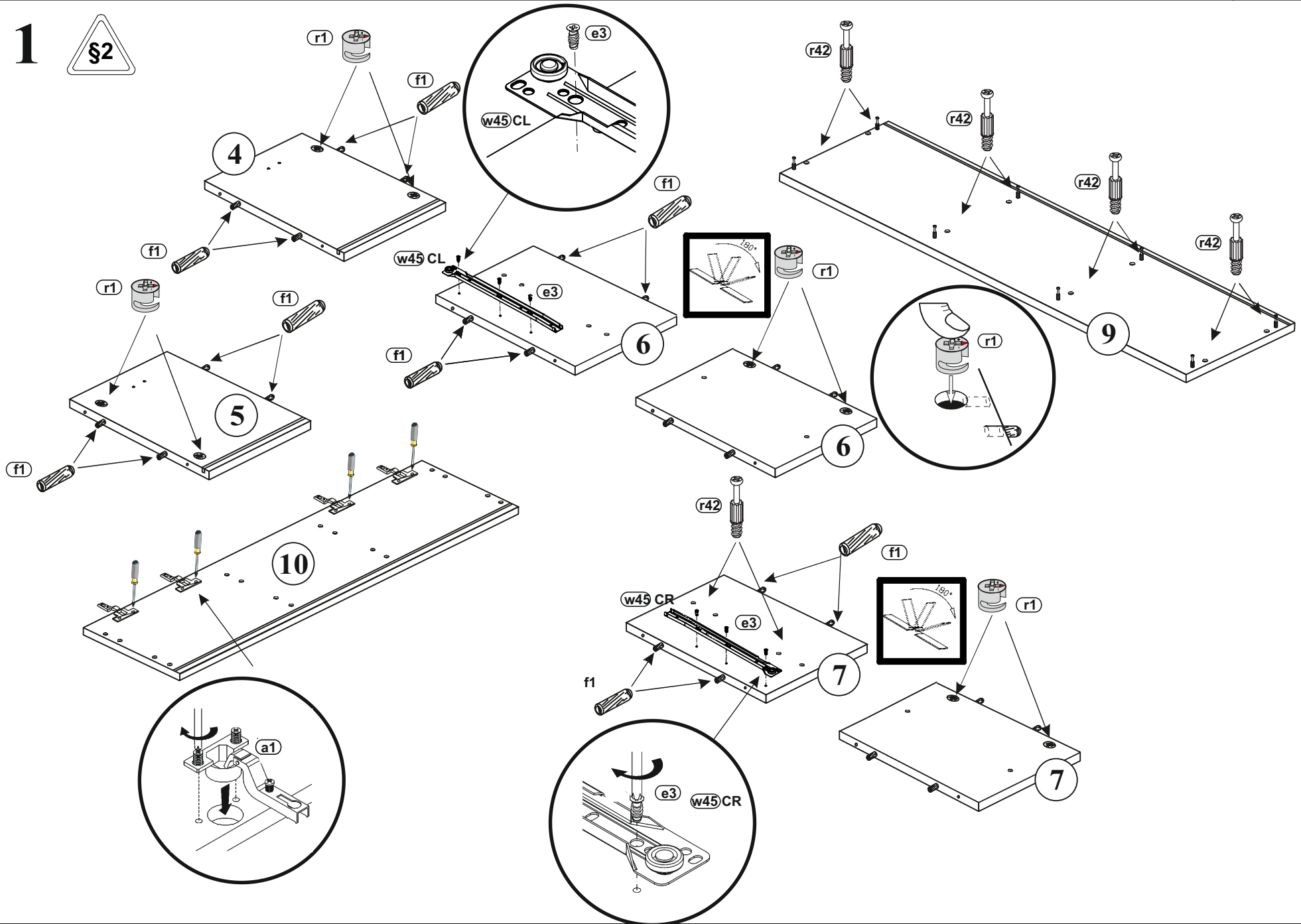
<p>1x qb20/1</p>		<p>cm</p>										<p>4x a1</p>		<p>4x b1</p>		<p>6x a44</p>									
<p>6x b19</p>		<p>6x c430/1</p>		<p>12x d1</p>		<p>4x d3</p>		<p>26x e1</p>		<p>2x e2</p>		<p>6x e3</p>		<p>4x e5</p>		<p>4x e4</p>		<p>4x e19</p>		<p>36x f1</p>		<p>4x f25</p>		<p>6x f35</p>	
<p>2x g2</p>		<p>10x k55</p>		<p>30x l2</p>		<p>2x m3</p>		<p>2x n14</p>		<p>1x n165/L</p>		<p>1x n165/P</p>		<p>6x o1</p>		<p>2x o21</p>		<p>12x p9</p>		<p>4x p17</p>		<p>24x p21</p>		<p>1x z1</p>	
<p>20x p38</p>		<p>6x p44</p>		<p>12x p51</p>		<p>2x p75</p>		<p>20x r1</p>		<p>20x r42</p>		<p>20x s2</p>		<p>1x w45<sup>CR</sup></p>		<p>1x w45<sup>CL</sup></p>		<p>1x w45<sup>DL</sup></p>		<p>1x w45<sup>DR</sup></p>		<p>2x s71</p>		<p>4x s4</p>	



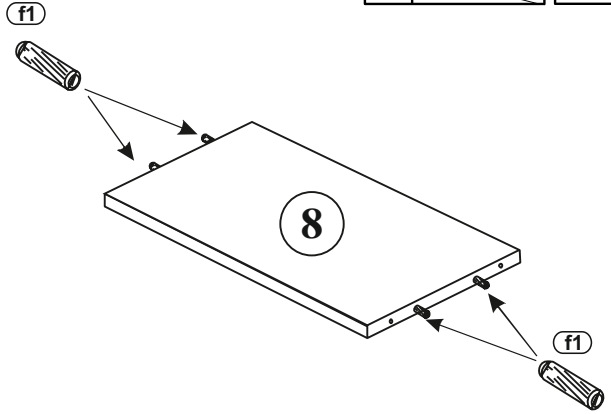
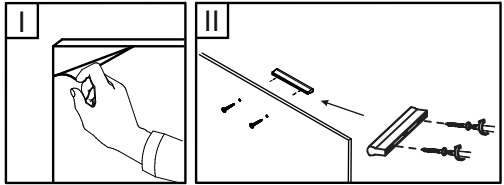
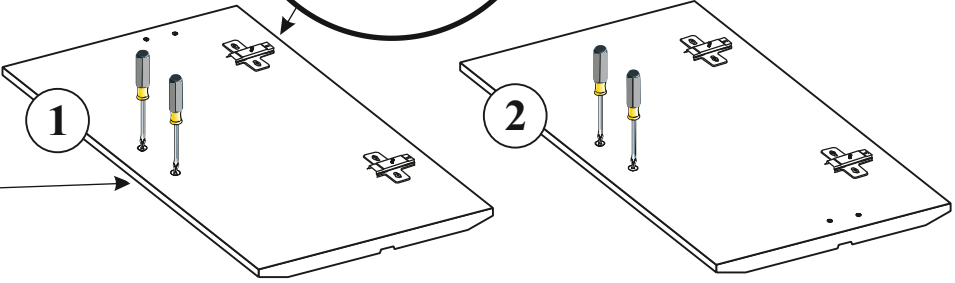
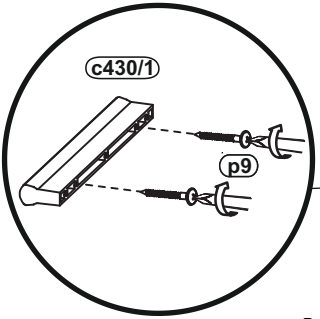
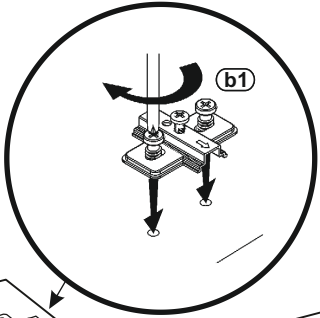
A	B	C (mm)		D
1	N25-001	498	311	1/4
2	N25-002	498	311	1/4
3	N87-003	491	156	4/4
4	N37-102	285	384	1/4
5	N37-103	285	384	1/4
6	N37-104	285	364	1/4
7	N37-105	285	364	1/4
8	N87-301	479	364	1/4
9	N87-201	1500	384	1/4
10	N87-202	1500	384	1/4
11	N37-501	350	90	4/4
12	N37-502	350	90	4/4
13	N87-501	422	90	1/4
14	N87-902	432	350	1/4
15	N87-901	1477	295	1/4



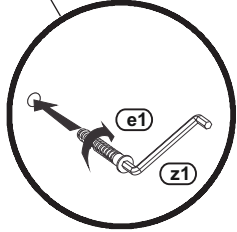
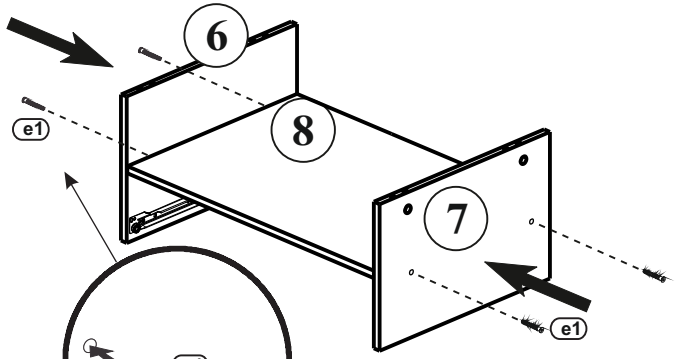
1



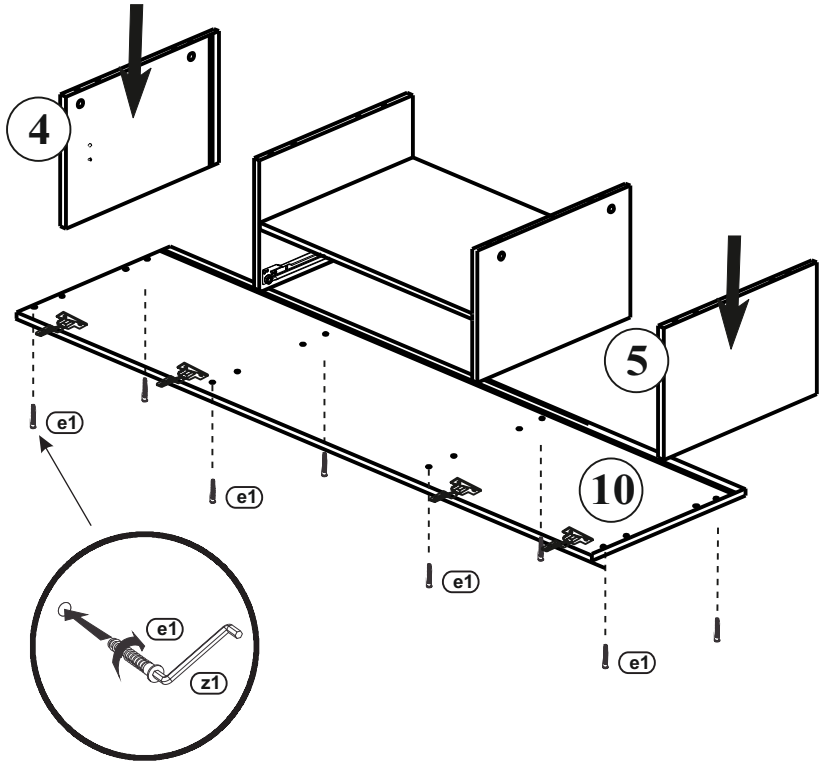
2



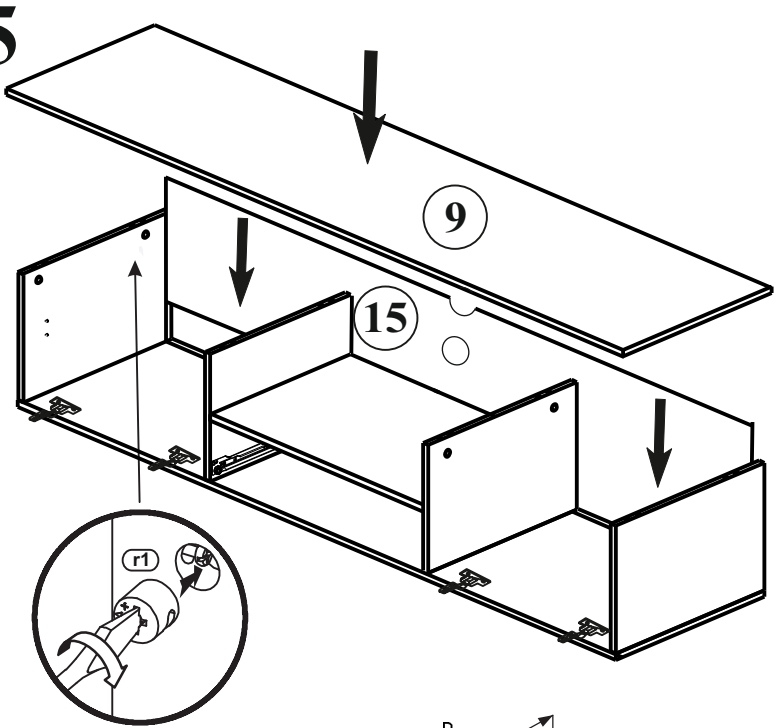
3



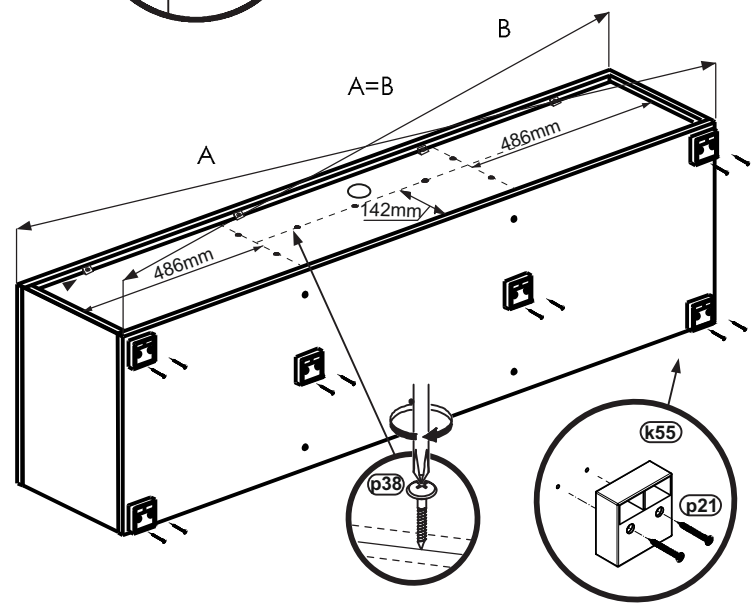
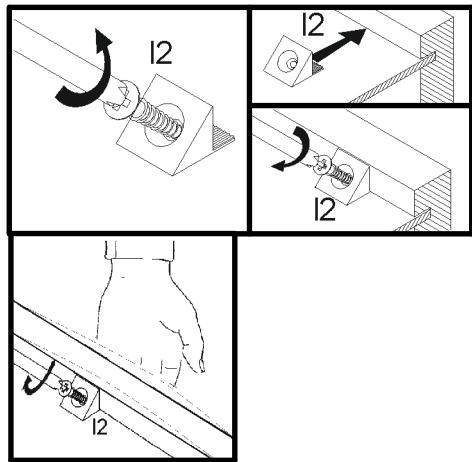
4

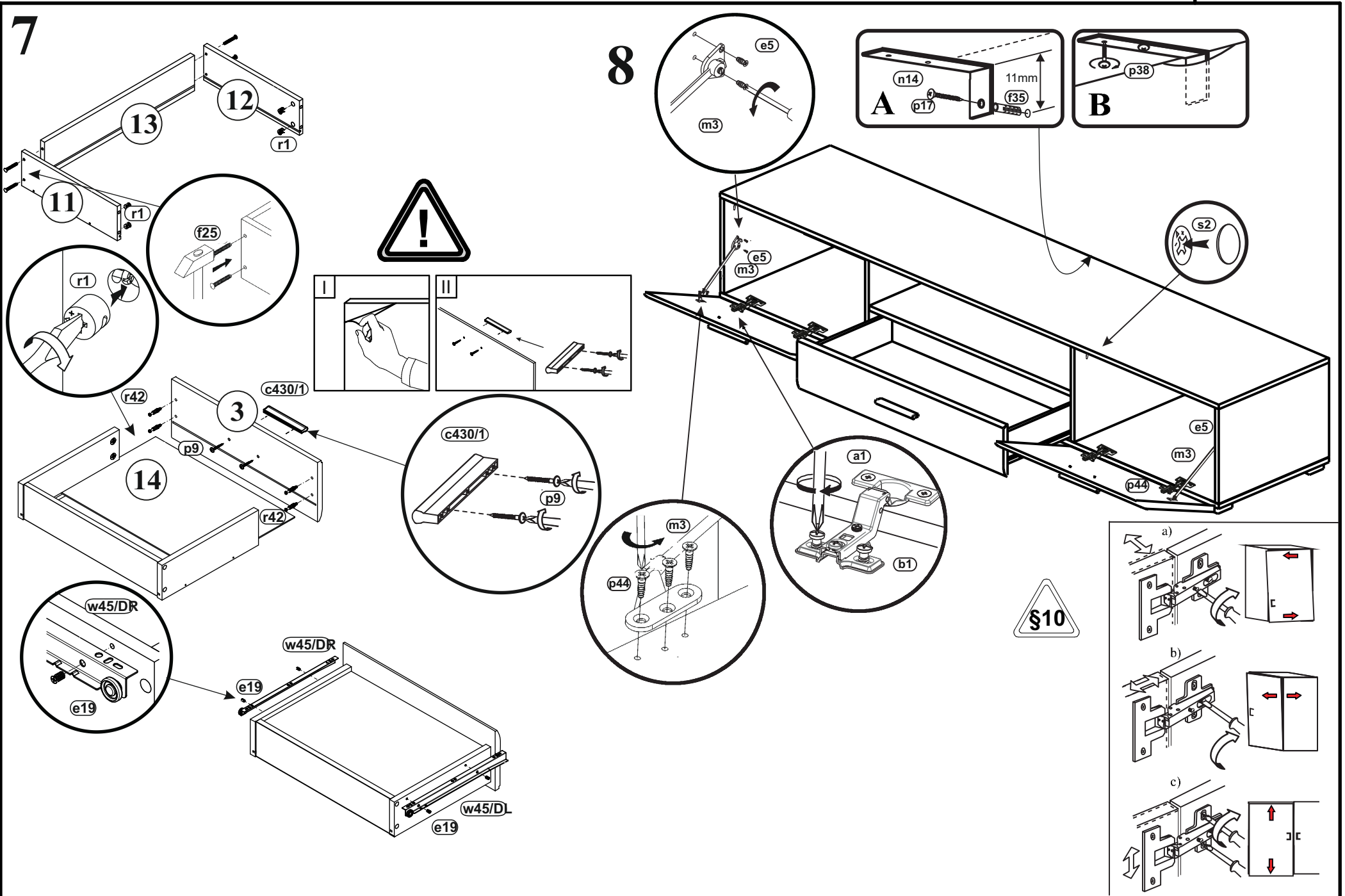


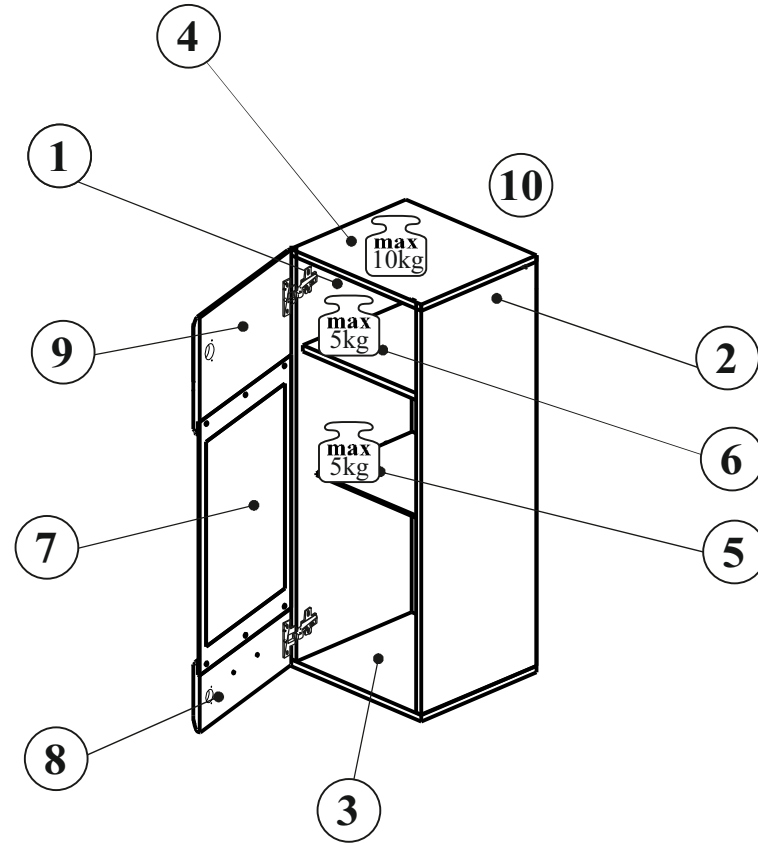
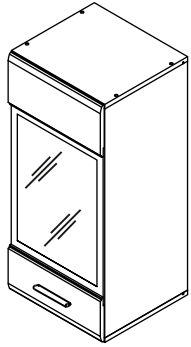
5



6



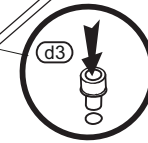
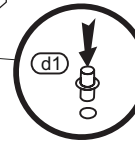
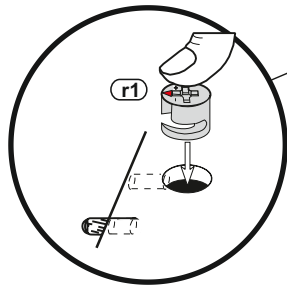
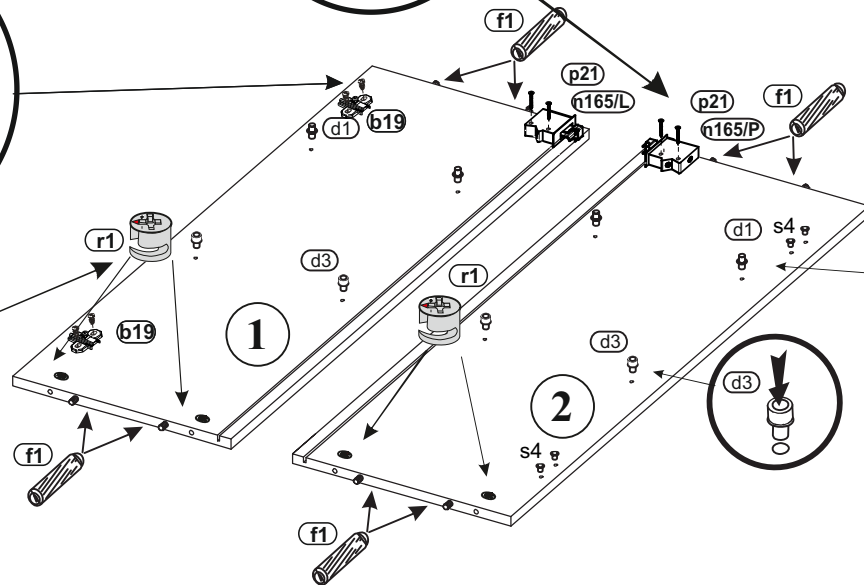
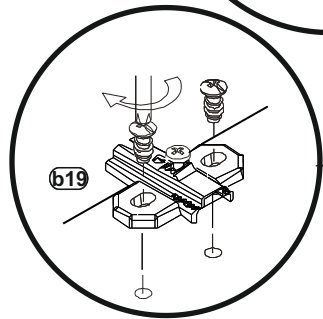
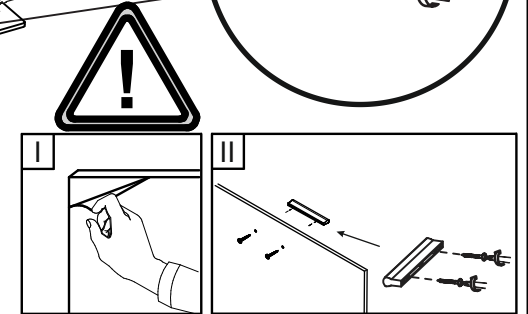
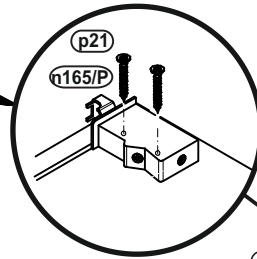
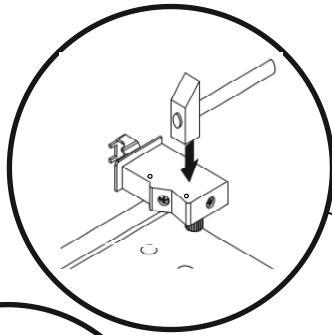
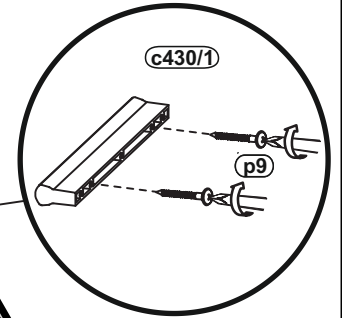
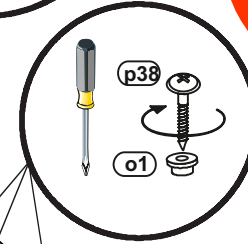
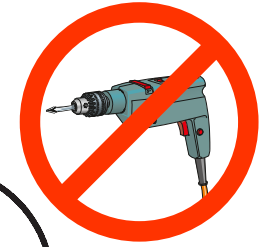
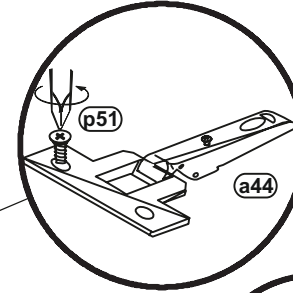
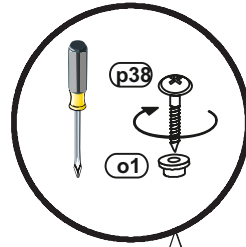
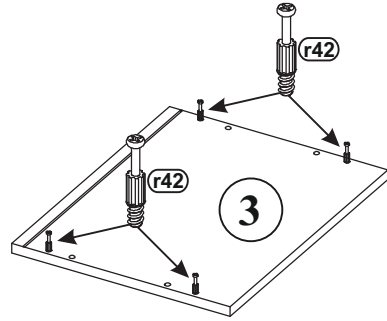




A	B	C (mm)		D
1	N87-103	807	337	3/4
2	N87-104	807	337	3/4
3	N20-204	380	337	3/4
4	N20-205	380	337	3/4
5	N25-504	346	292	3/4
6	N20-303	347	312	3/4
7	N20-504	556	374	3/4
8	N87-701	375	156	3/4
9	N87-702	375	181	3/4
10	N20-904	817	357	3/4

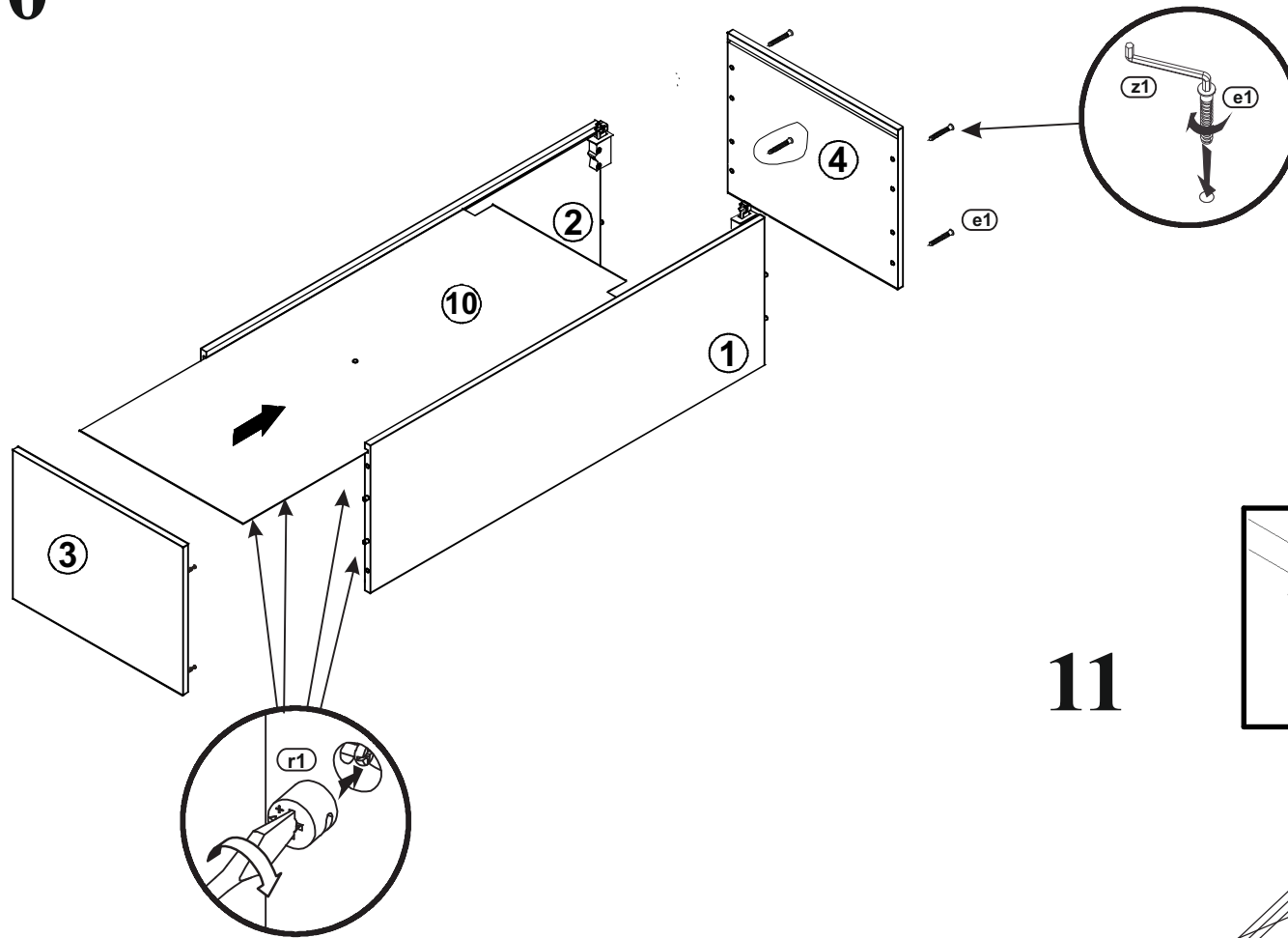


9

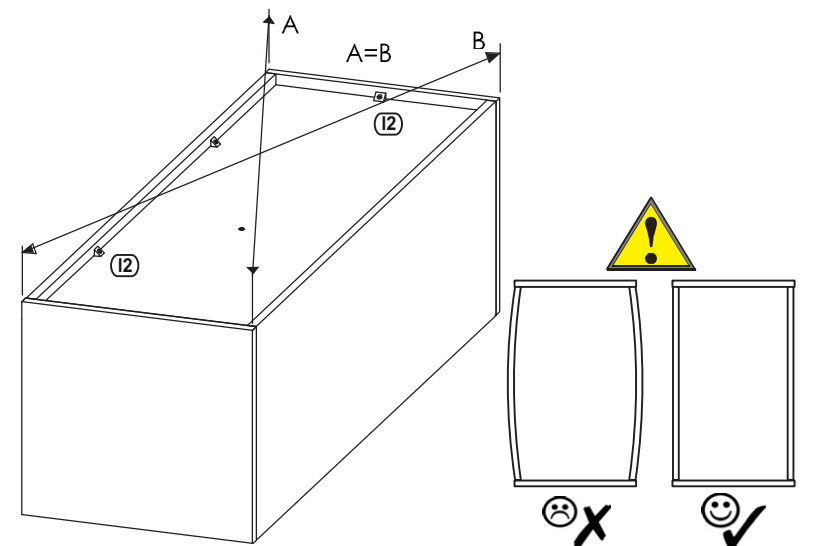
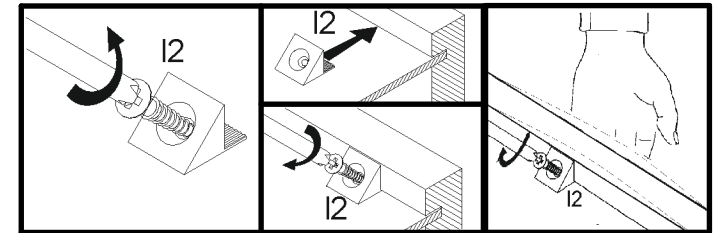




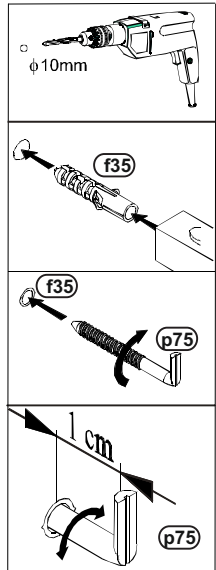
# 10



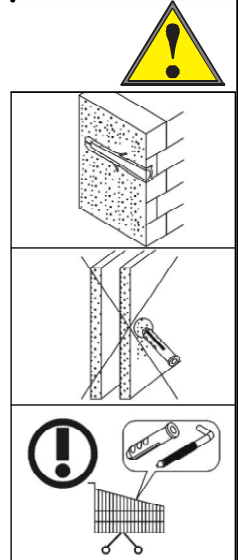
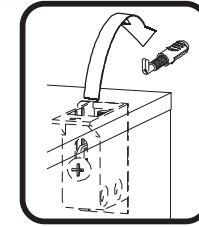
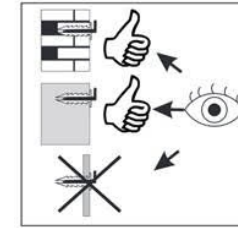
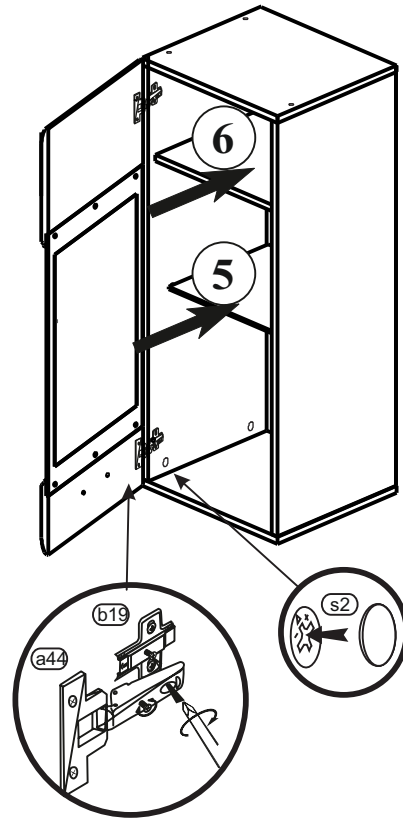
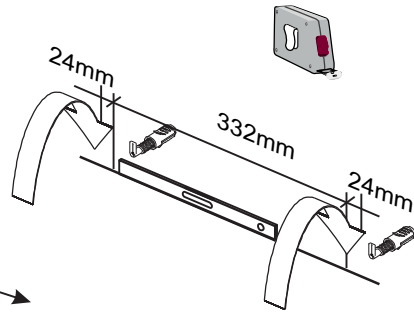
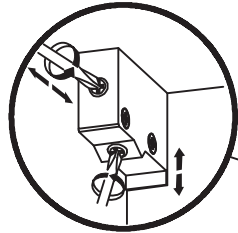
# 11



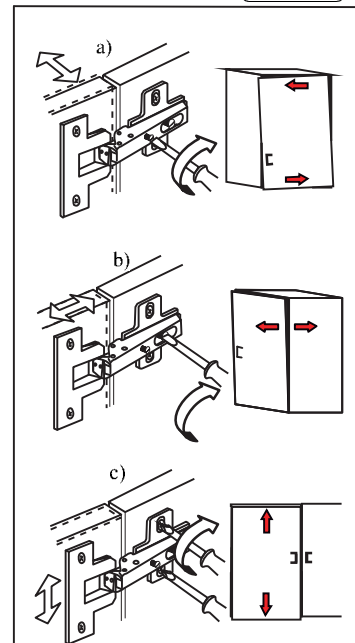
# 12

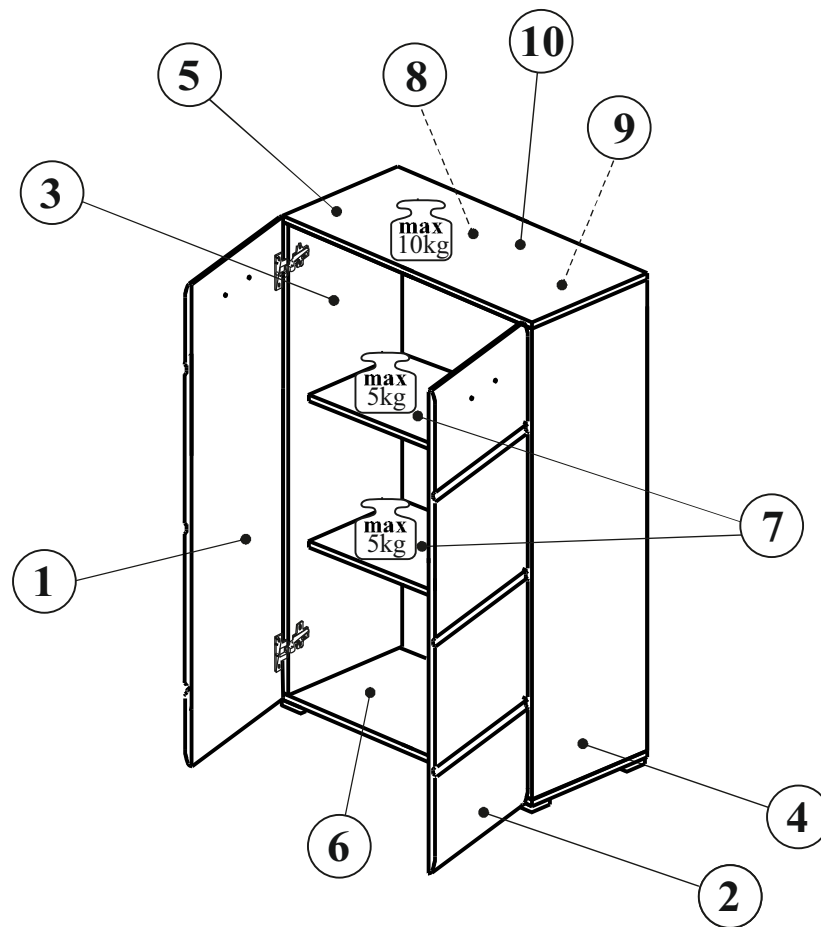
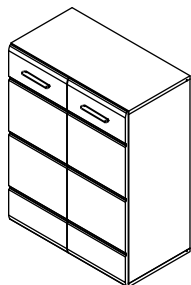


# §10



# §10

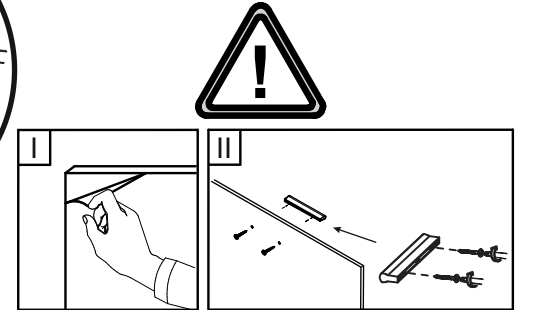
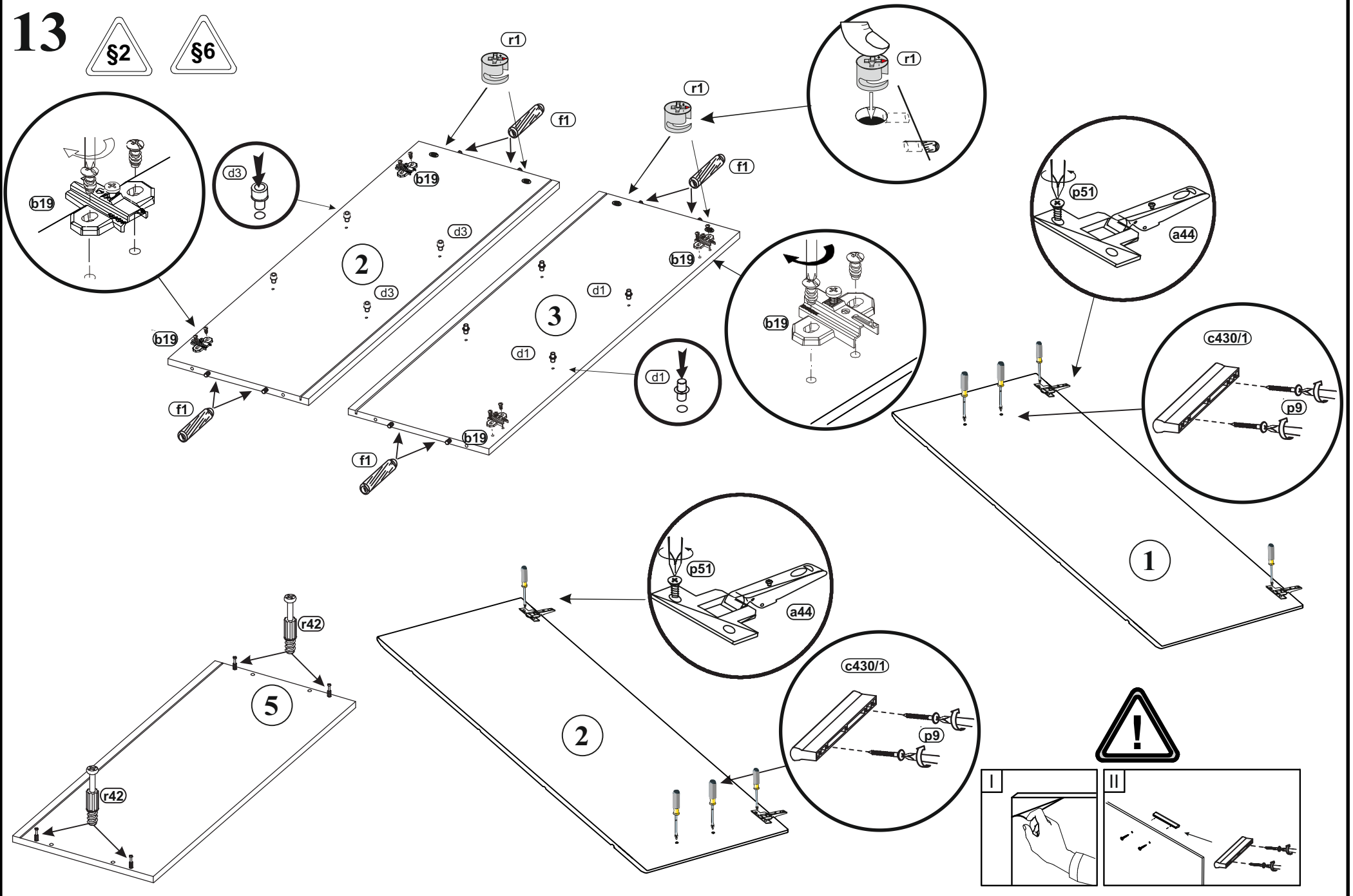


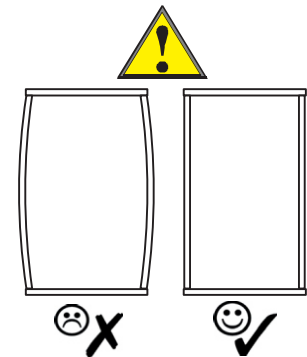
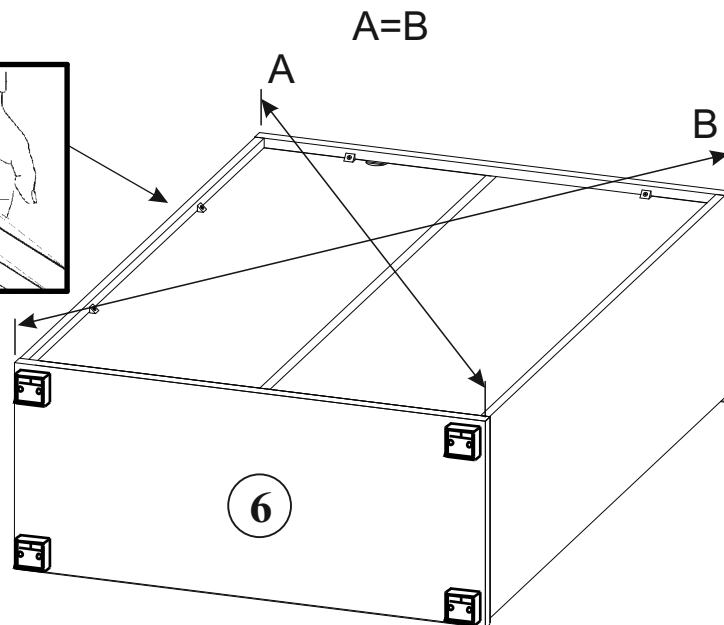
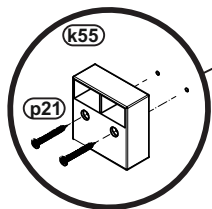
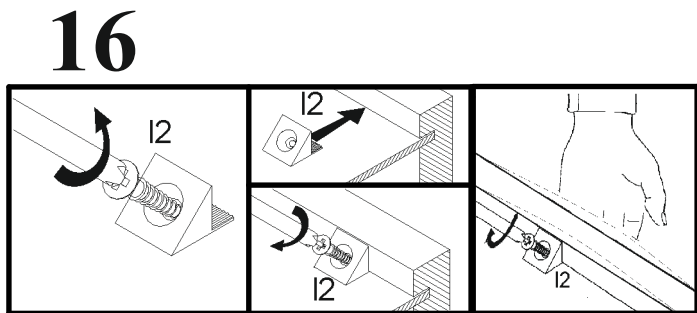
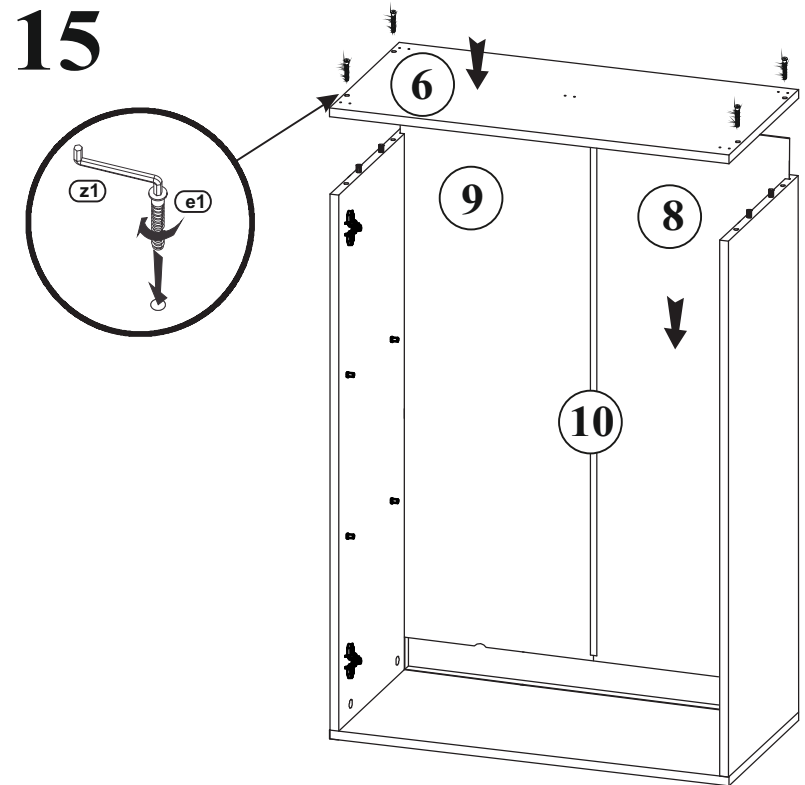
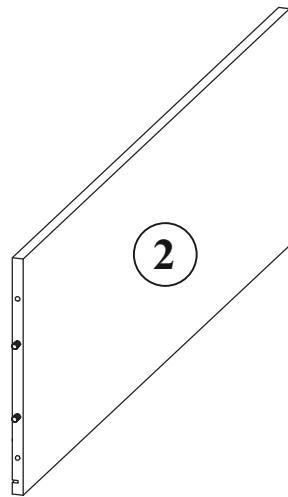
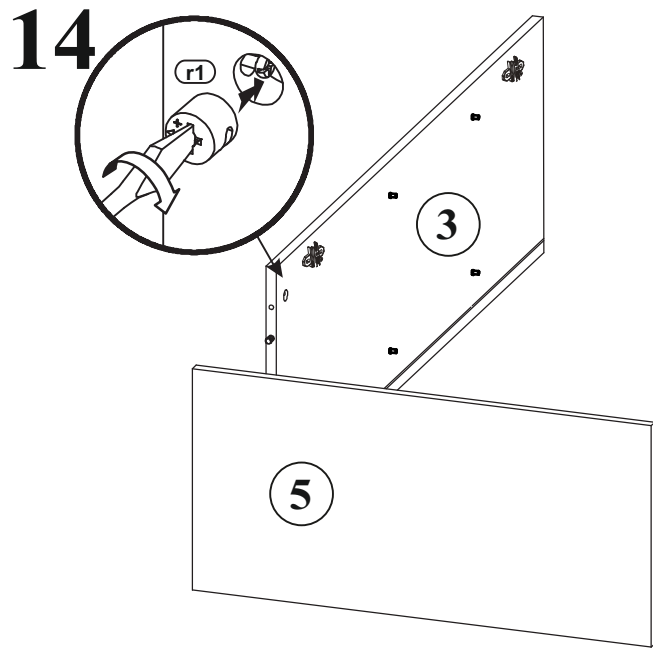


A	B	C (mm)		D
1	N87-001	833	320	2/4
2	N87-002	833	320	2/4
3	N87-101	807	337	2/4
4	N87-102	807	337	2/4
5	N87-203	650	337	2/4
6	N87-204	650	337	2/4
7	N87-302	617	312	2/4
8	N87-903	817	312	2/4
9	N87-904	817	312	2/4
10	Lh-801	801	14	2/4

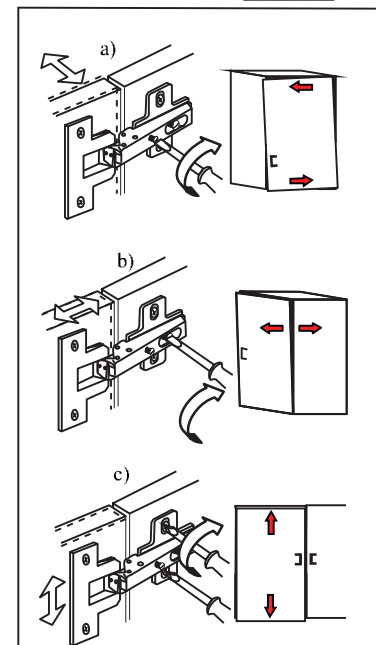
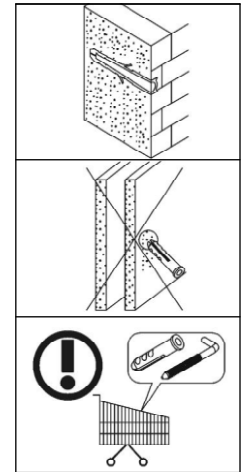
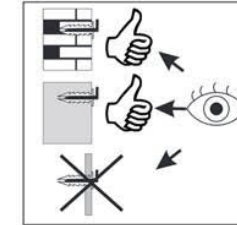
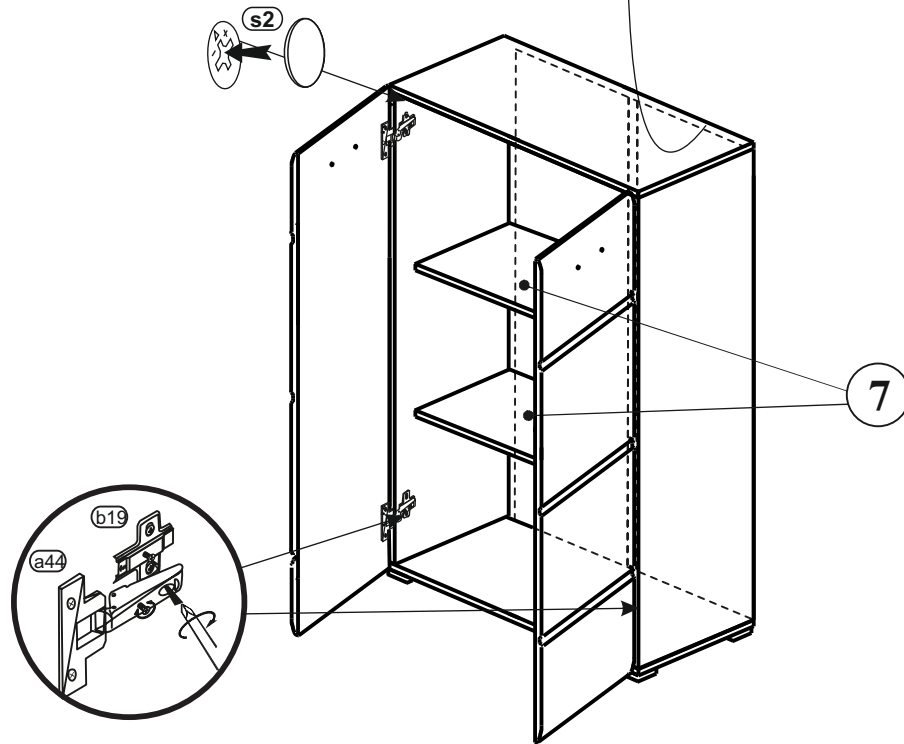
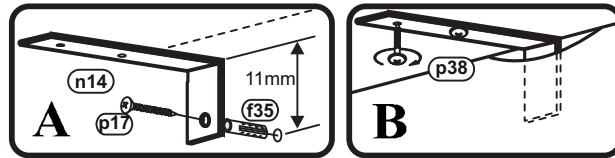


# 13





# 17



A	B	C (mm)		D
1	N87-303	550	219	4/4
2	N87-502	900	250	4/4

# 18

# 19

# 20

21

